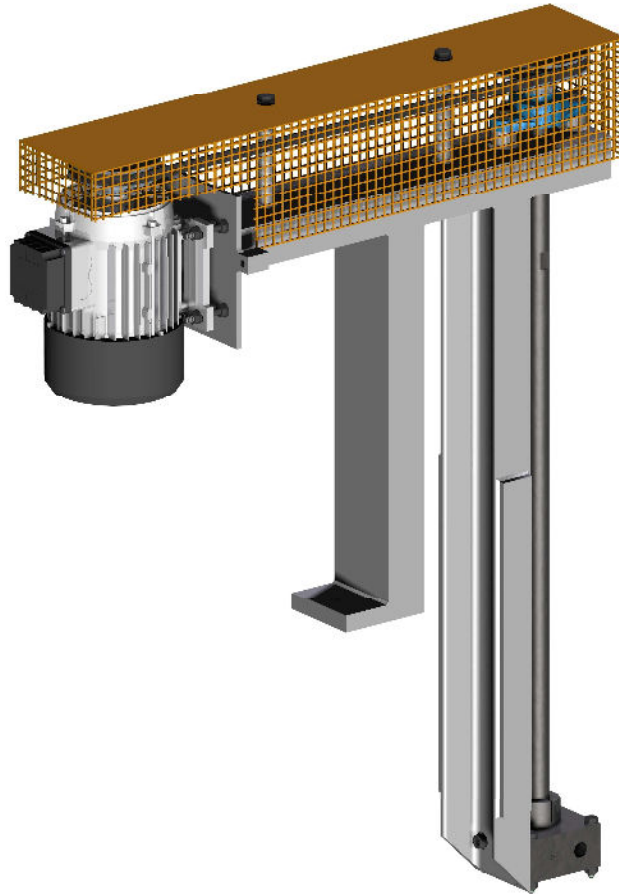


ROTARY LEAD PUMP Type LPH22



- Powered by 0,75 KW motor.
- Belt trasmission.
- Continuos efficiency over several months.
- Lead pumping capacity with delivery head 900 mm: 15 kg/min.
- Version for lead calcium alloy available.

Overall dimensions: mm 180 x 800 x 1000 H

Weight: ~ 50 Kg

Electric motor: 0,75 Kw 230/400 V - 3 phase 50 Hz

WE RESERVE ANY POSSIBLE MODIFICATIONS