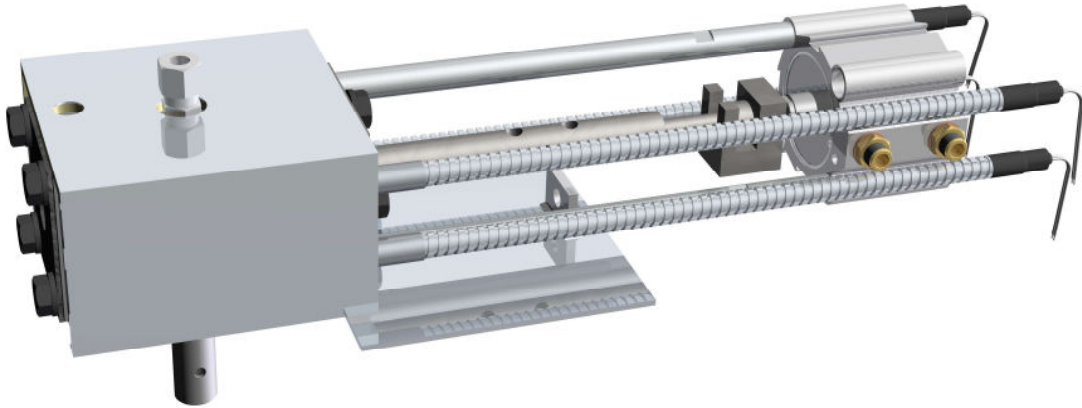


DISPENSING LEAD VALVE Type EXV



- Powered by pneumatic cylinder.
- Continuous efficiency over several months.
- Easy disassembly to clean.
- Preheated by 4 electric resistances.
- Gas attach.
- The tempered obturator ensures a perfect closing.

Overall dimensions: mm 470x179x190 H

Weight: ~ 15 Kg

Compressed air: 5 - 7 bar

WE RESERVE ANY POSSIBLE MODIFICATIONS