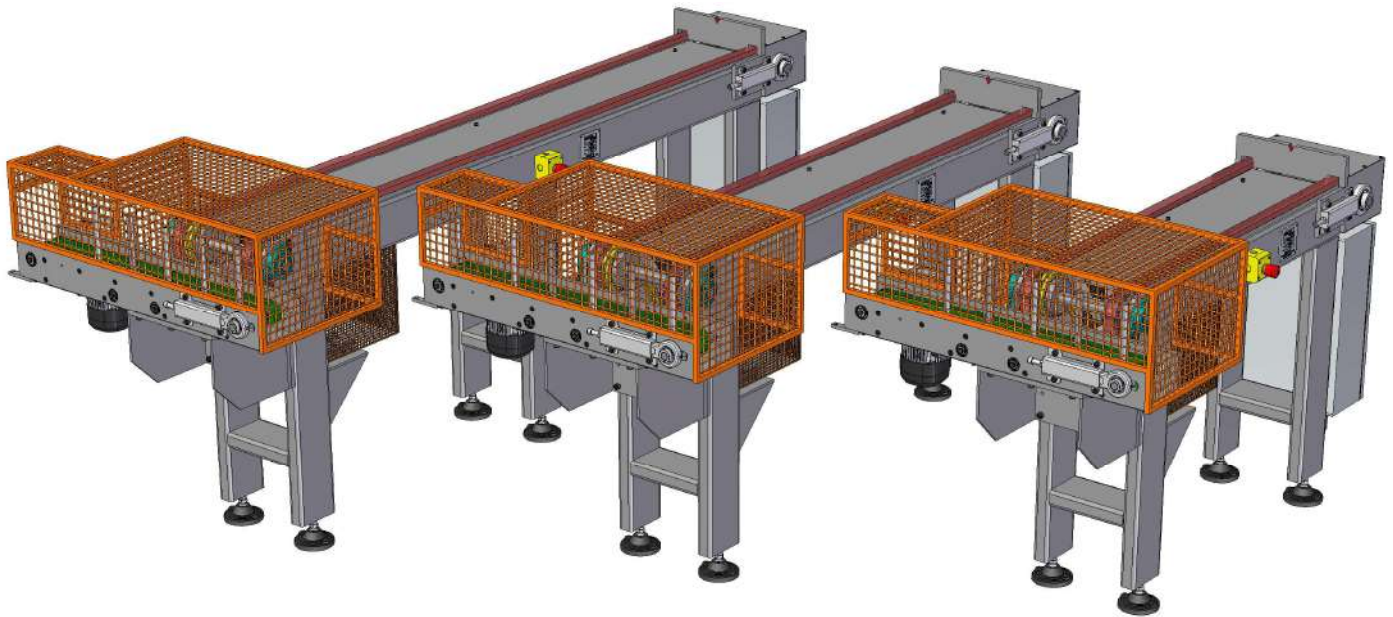
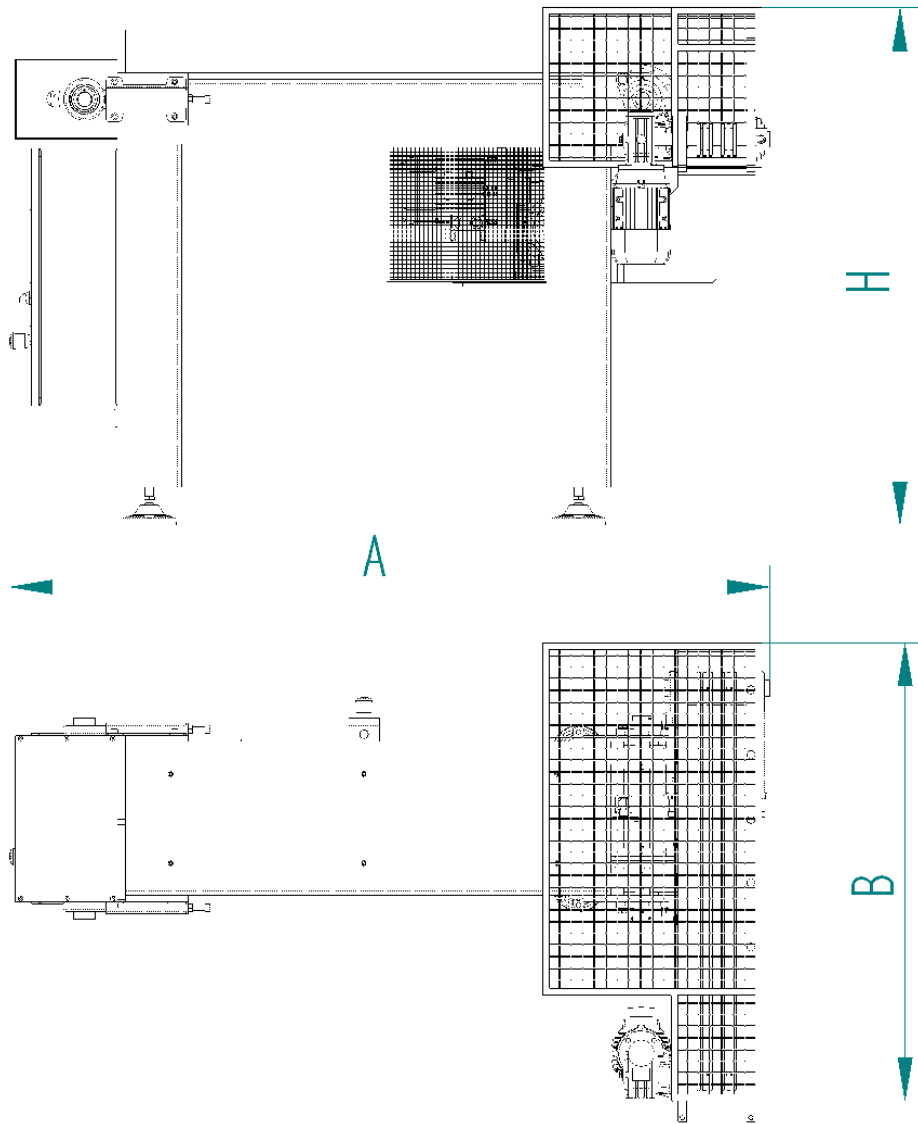


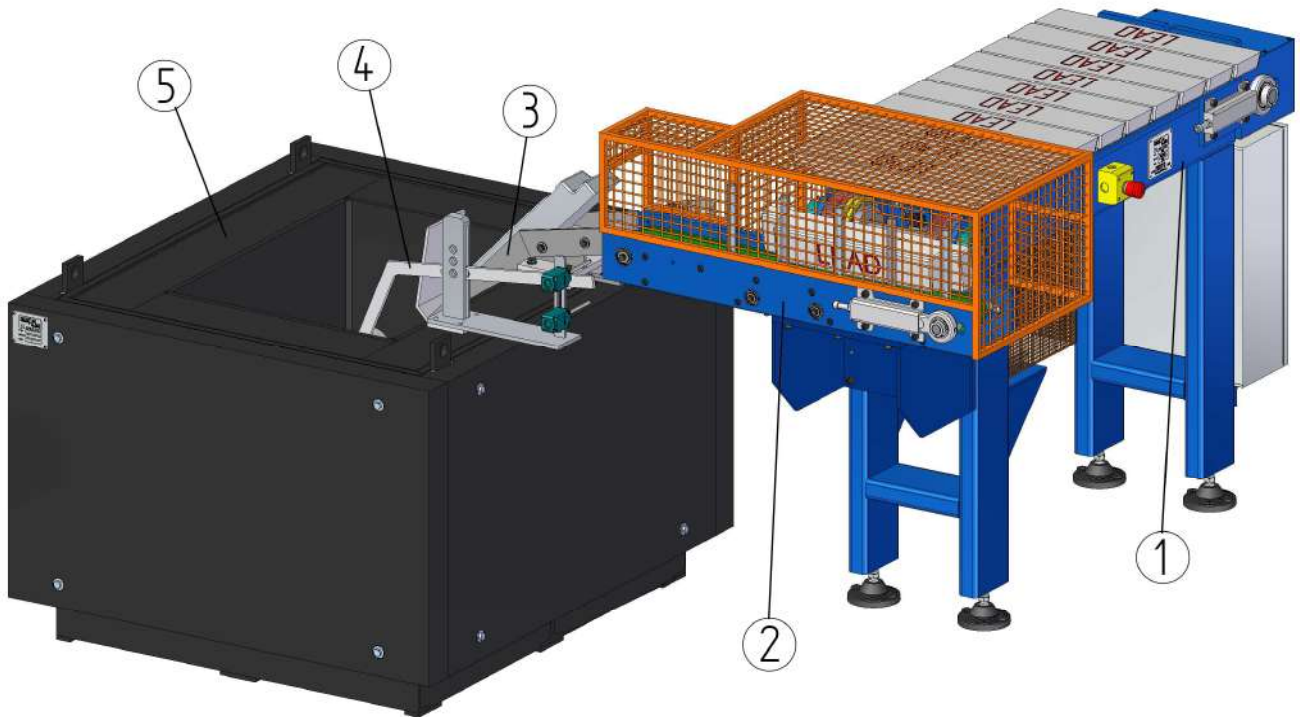
## **LEAD INGOTS FEEDER Type CL**



- The feeder is fully automatic.
- Applicable to any of melting pot.
- Secondary belt with right or left orientation.
- Chain conveyor to storage and transfer the lead ingots to the pot.
- Timers to change the loading frequency of the melting pot.
- Slide to introduce the ingots in the melting pot.
- Sensor lead level and float applied to the melting pot.
- Electrical control panel.
- Available in three standard sizes with storage capacity 10 – 15 – 20 ingots.



	<b>"CL10"</b>	<b>"CL15"</b>	<b>"CL20"</b>
<b><u>Dimensions A x B x H (mm):</u></b>	<b>1770 x 1070 x 1200</b>	<b>2370 x 1070 x 1200</b>	<b>2970 x 1070 x 1200</b>
<b><u>Weight:</u></b>	<b>~ 425 Kg</b>	<b>~ 460 Kg</b>	<b>~ 525 Kg</b>
<b><u>Storage Capacity:</u></b>	<b>10 ingots</b>	<b>15 ingots</b>	<b>20 ingots</b>
<b><u>Power Supply:</u></b>	<b>380V – 50Hz</b>	<b>380V – 50Hz</b>	<b>380V – 50Hz</b>
<b><u>Installed Power:</u></b>	<b>1,5 Kw</b>	<b>1,5 Kw</b>	<b>1,5 Kw</b>



<b>1</b>	<b>PRIMARY BELT</b>
<b>2</b>	<b>SECONDARY BELT</b>
<b>3</b>	<b>SLIDE INGOTS</b>
<b>4</b>	<b>FLOAT WITH SENSOR LEAD LEVEL</b>
<b>5</b>	<b>MELTING POT</b>

*WE RESERVE ANY POSSIBLE MODIFICATIONS*